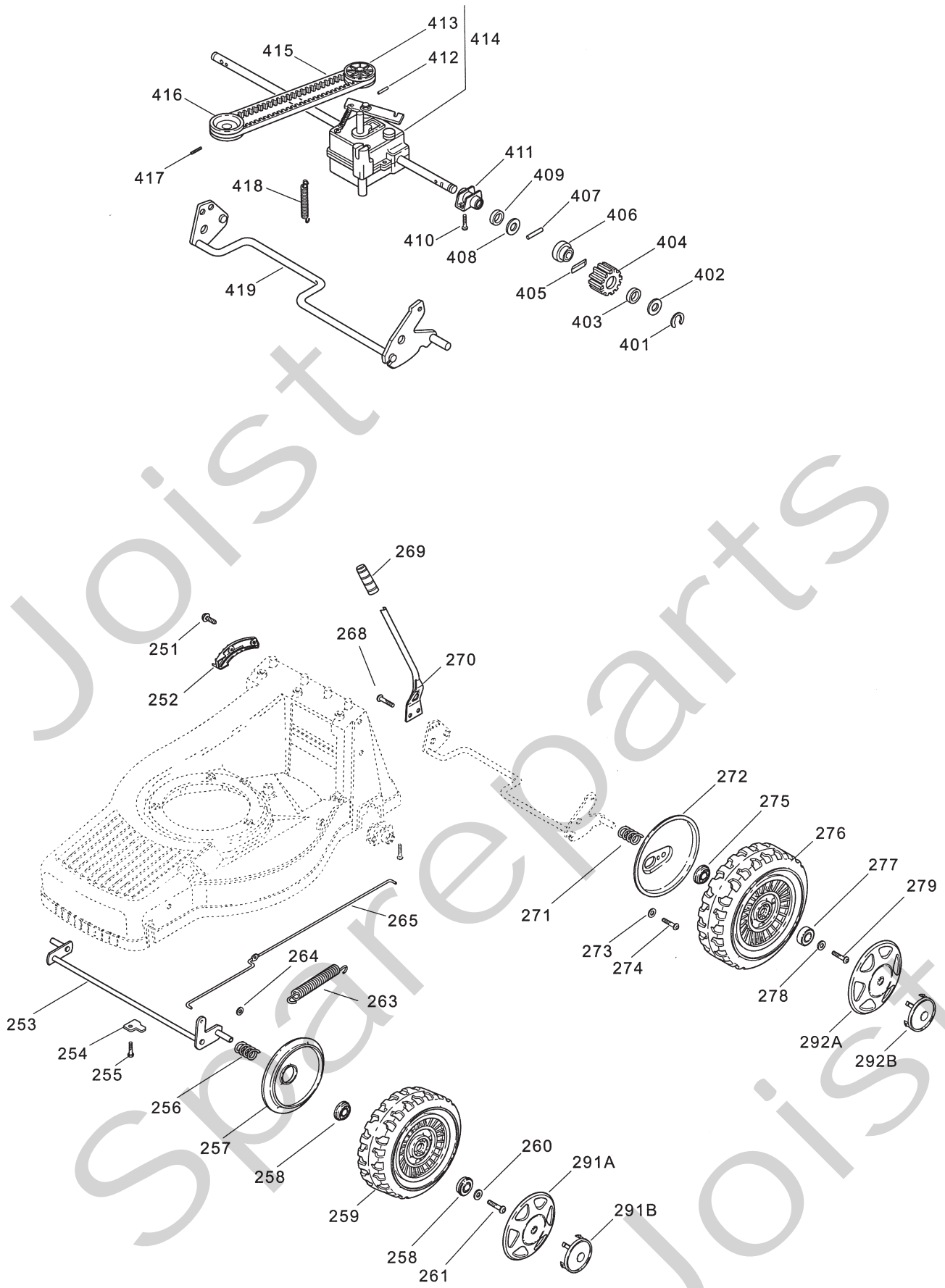


Genuine Spare Parts



Joist
Spareparts
Joist

Utgåva Issue		Bildnr Picture No				TURBO 55S COMBI TURBO 55SE COMBI JARDIPRO JP55 CHASSI		TURBO 55S COMBI TURBO 55SE COMBI JARDIPRO JP55 CHASSIS		Sida Page
2005- 12		1943								184
Pos. Fig.	Antal/Quantity				Art nr Part No	Benämning	Description	Sats Kit	Anmärkning Notes	
	9204 -60 -70	9298 -70	9604 -70 9644 -70	9698 -70						
X	1	1			1111-3598-01	Chassi- gul.....	Chassis- yellow			
	1		1	1	1111-3598-05	Chassi- grön	Chassis- green			
	2	3	3	3	9955-3732-12	Skruv	Screw			
	3	1	1		1111-3597-01	Täckåpa- gul.....	Cover- yellow			
X	3			1	1111-3597-08	Täckåpa- grön	Cover- green.....			
	4	3	3	3	9838-9522-12	Skruv	Screw			
	5	1	1		1111-2793-01	Luckinfästning- gul	Flap attachm.- yellow			
	5			1	1111-2793-18	Luckinfästning- grön.....	Flap attachm.- green.....			
	6	3	3	3	9947-0616-16	Skruv	Screw			
	7	1	1	1	1111-2792-01	Fjäder.....	Spring			
	8	1	1		1111-3283-01	Lucka- gul.....	Flap- yellow			
	8			1	1111-3283-18	Lucka- grön	Flap- green			
	9	1	1	1	1111-3024-01	Fästplatta	Attachment plate			
	10	2	2	2	1111-3021-01	Styrinfästning	Handlebar attachment			
	11	2	2	2	9699-0028-02	Planbricka.....	Flat washer			
	12	2	2	2	9939-0820-16	Skruv	Screw			
	13	2	2	2	9899-3557-12	Skruv	Screw			
	14	4	4	4	9699-0028-02	Planbricka.....	Flat washer			
	15	4	4	4	1111-3023-01	Lås ratt	Locking knob			
	16	4	4	4	9795-3531-02	Mutter	Nut			
	17	1	1	1	1111-3428-01	Styre- underdel (sv).....	Handle- lower (black).....			
	18	1	1	1	9838-9522-12	Skruv	Screw			
	19	1	1	1	1111-3335-01	Bakstam.....	Rear attachment			
	20	3	3	3	9947-0616-16	Skruv	Screw			
	21	1	1	1	1111-3236-01	Hållare- vä.....	Attachment- LH			
	22	4	4	4	9836-9520-12	Skruv	Screw			
	23	1	1	1	1111-3237-01	Hållare- hö	Attachment- RH.....			
	24	1	1	1	1111-2927-01	Batterihållare	Battery holder			
	25	2	2	2	9899-3557-12	Skruv	Screw			
	26	1	1	1	1111-3062-01	Ögla	Eyelink			
	27	2	2	2	1111-0178-00	Förstärkning	Reinforcement.....			
	28		1		9948-0640-16	Skruv	Screw		L = 40 mm	
	28	1		1	9948-0670-16	Skruv	Screw		L = 70 mm	
	29	1	1	1	1111-2969-01	Wirefäste	Cable attachment			
	30	1	1	1	1111-3388-01	Kopplingswire.....	Clutch cable			
	31			1	1111-2968-02	Motorbromswire.....	Engine brake cable			
	31	1	1	1	1111-2968-07	Motorbromswire.....	Engine brake cable			
	31			1	1111-3556-01	Motorbromswire.....	Engine brake cable		12-9644-70	
	33	1	1	1	9747-0631-02	Låsmutter	Lock nut			
	34	1	1	1	1111-3461-01	Styre- överdel (svart).....	Handle- upper (black).....			
	35	1	1	1	1111-2953-01	Manöverbygel	Control handle			
	36	1	1	1	1111-2954-01	Manöverbygel	Control handle			
	38	1	1	1	1111-2018-01	Kabelhållare	Cable holder			
	39	1	1	1	9836-9216-12	Skruv	Screw			
	40	1	1	1	1111-3569-01	Tillbehörspåse	Accessory bag			
	41	1	1		1111-3095-01	Täckbricka- gul	Cap- yellow			
	41			1	1111-3095-03	Täckbricka- svart	Cap- black			
	42	1	1	1	9675-0012-02	Starlock	Locking washer.....			
	45	1	1	1	1111-3333-02	Mulcherplugg	Mulch plug			
	151	1	1	1	1111-3351-01	Gasreglage.....	Throttle control			
	152			1	9699-0060-02	Planbricka.....	Flat washer.....			
	501	1	1	1	1111-9070-01	Knivfäste.....	Blade holder			
	502	1	1	1	1111-9091-01	Kniv	Blade			
	503	1	1	1	9696-0011-01	Bricka	Washer			
	504	1	1	1	9987-5251-12	Skruv	Screw			
	505	1	1	1	9600-0014-00	Kil	Key			
	551	1	1		1111-2840-01	Uppsamlarlock- gul.....	Top collector- yellow			
	551			1	1111-2840-18	Uppsamlarlock- grön	Top collector- green			
	552	1	1	1	1111-2764-01	• Täckbricka	• Cover.....			
	561	2	2	2	9699-0100-02	Bricka	Washer.....			
	562	2	2	2	9838-9522-12	Skruv	Screw			
	563	1	1	1	1111-2843-01	Trådbygel.....	Wire clamp.....			
	564	1	1	1	1111-2844-01	Uppsamlingspåse- svart.....	Collecting bag- black			



Utgåva Issue 2005- 12		Bildnr Picture No 1944				TURBO 55S COMBI TURBO 55SE COMBI JARDIPRO JP55 HJULUPPHÄNGNING		TURBO 55S COMBI TURBO 55SE COMBI JARDIPRO JP55 WHEEL SUSPENSION		Sida Page 186
Pos. Fig.	Antal/Quantity				Art nr Part No	Benämning	Description	Sats Kit	Anmärkning Notes	
	9204 -60	9204 -70 9298 -70	9604 -70 9644 -70	9698 -70						
251	2	2	2	2	9838-9522-12	Skruv	Screw			
252	1	1	1	1	1111-2798-01	Höjdinst. segment	Height adj.quadrant.....			
253	1	1	1	1	1111-3466-02	Framaxel	Front axle			
254	2	2	2	2	1111-1504-01	Överfall	Retainer			
255	2	2	2	2	9947-0616-16	Skruv	Screw			
256	2	2	2	2	1111-1138-01	Fjäder.....	Spring			
257	2	2	2	2	1111-2785-01	Täckbricka	Wheel cover			
258	2	2	2	2	1111-3296-01	• Kullager	• Ball bearing			
259	2	2	2	2	1111-2784-01	Hjul kpl	Wheel assy.....		Inkl. pos 258	
260	2	2	2	2	9699-0100-02	Bricka	Washer.....			
261	2	2	2	2	9943-0612-16	Skruv	Screw			
263	1	1	1	1	1111-2819-01	Fjäder.....	Spring			
264	2	2	2	2	9675-0011-00	Starlock	Starlock			
265	1	1	1	1	1111-3031-01	Dragstång.....	Height adj.rod			
268	2	2	2	2	9943-0610-16	Skruv	Screw			
269	1	1	1	1	1111-2817-01	Handtag	Lever knob			
270	1	1	1	1	1111-2816-01	Spak	Height adj.lever			
271	2	2	2	2	1111-3060-01	Fjäder.....	Spring			
272	2	2	2	2	1111-3395-01	Täckplåt.....	Cover plate			
273	2	2	2	2	9699-0060-02	Planbricka.....	Flat washer			
274	2	2	2	2	9943-0610-16	Skruv	Screw			
275	1	1	1	1	1111-3296-01	• Kullager	• Ball bearing			
276	2	2	2	2	1111-3026-01	Hjul m.kullager	Wheel w.ball bearings		Inkl. pos 275, 277	
277	1	1	1	1	9549-0001-00	• Kullager	• Ball bearing			
278	2	2	2	2	9699-0100-02	Bricka	Washer.....			
279	2	2	2	2	9943-0612-16	Skruv	Screw			
291 A		2	2	2	1111-3084-01	Navkapsel- gul	Hub cap- yellow.....			
291 B	2				1111-3443-01	Navkapsel- silver.....	Hub cap- silver			
292 A		2	2	2	1111-3086-01	Navkapsel- gul	Hub cap- yellow.....			
292 B	2				1111-3444-01	Navkapsel- silver.....	Hub cap- silver			
401	2	2	2	2	9652-0010-04	Låsring	Snap ring			
402	2	2	2	2	9695-0013-00	Bricka	Washer.....			
403	2	2	2	2	1111-2830-01	Stödbricka	Support washer.....			
404	2	2	2	2	1111-3075-01	Kugghjul- plasthjul.....	Pinion- plastic wheel			
405	2	2	2	2	1111-3256-01	Drivkil	Drive key			
406	2	2	2	2	1111-2829-01	Låsbricka	Lock washer.....			
407	2	2	2	2	1111-2382-01	Cyl.pinne.....	Pin			
408	2	2	2	2	9695-0013-00	Bricka	Washer.....			
409	2	2	2	2	9404-0083-00	Tätningring	Seal ring.....			
410	4	4	4	4	9947-0616-16	Skruv	Screw			
411	2	2	2	2	1111-2814-01	Bussning	Bushing.....			
412	1	1	1	1	9595-0235-00	• Spännstift	• Locating pin			
413	1	1	1	1	1111-3440-01	• Remskiva.....	• Belt pulley			
X 414	1	1	1	1	1111-3401-02	Transmission kpl	Transmission assy		Inkl. pos 412 - 413	
415	1	1	1	1	9585-0137-01	Drivrem	Drive belt.....			
416	1	1	1	1	1111-2915-01	Motorremskiva	Engine belt pulley.....			
417	1	1	1	1	9910-0612-16	Stoppskruv	Set screw			
418	1	1	1	1	1111-2822-01	Dragfjäder.....	Tension spring			
419	1	1	1	1	1111-2808-01	Bakaxel	Rear axle			